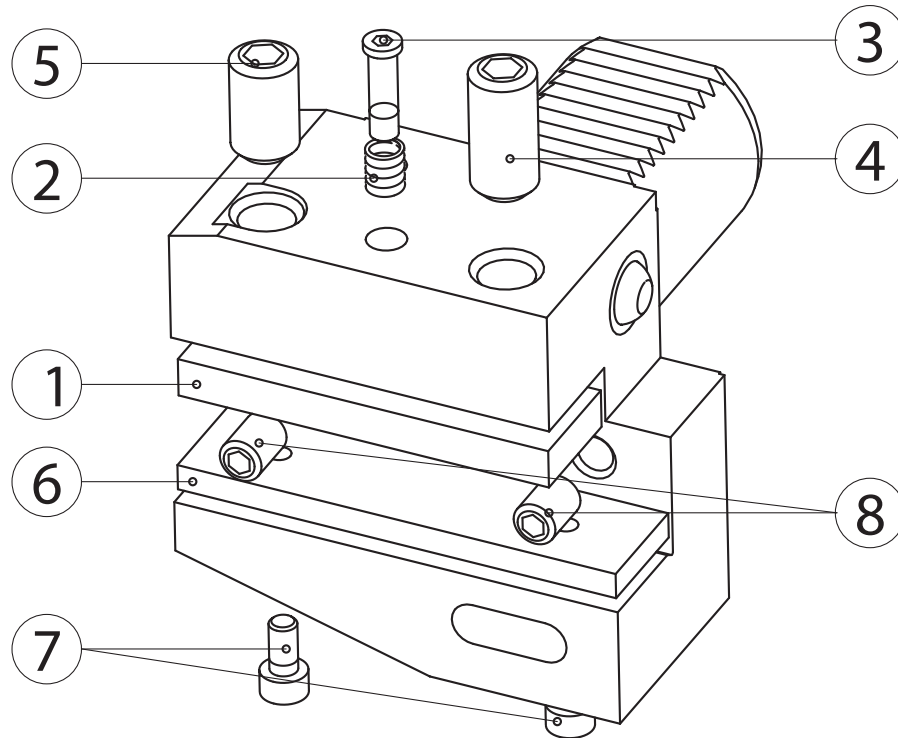
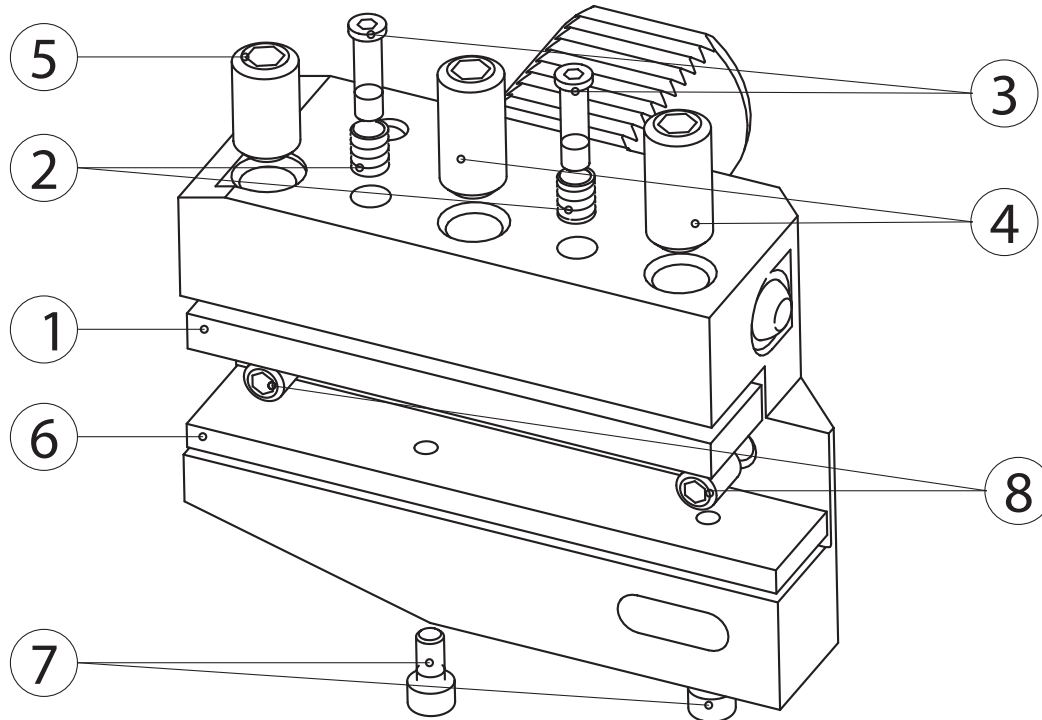


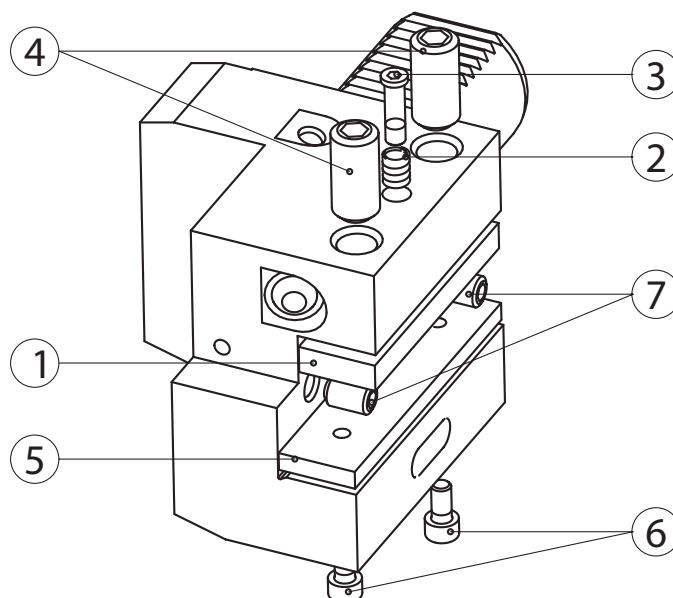
**RICAMBI
SPARE PARTS**



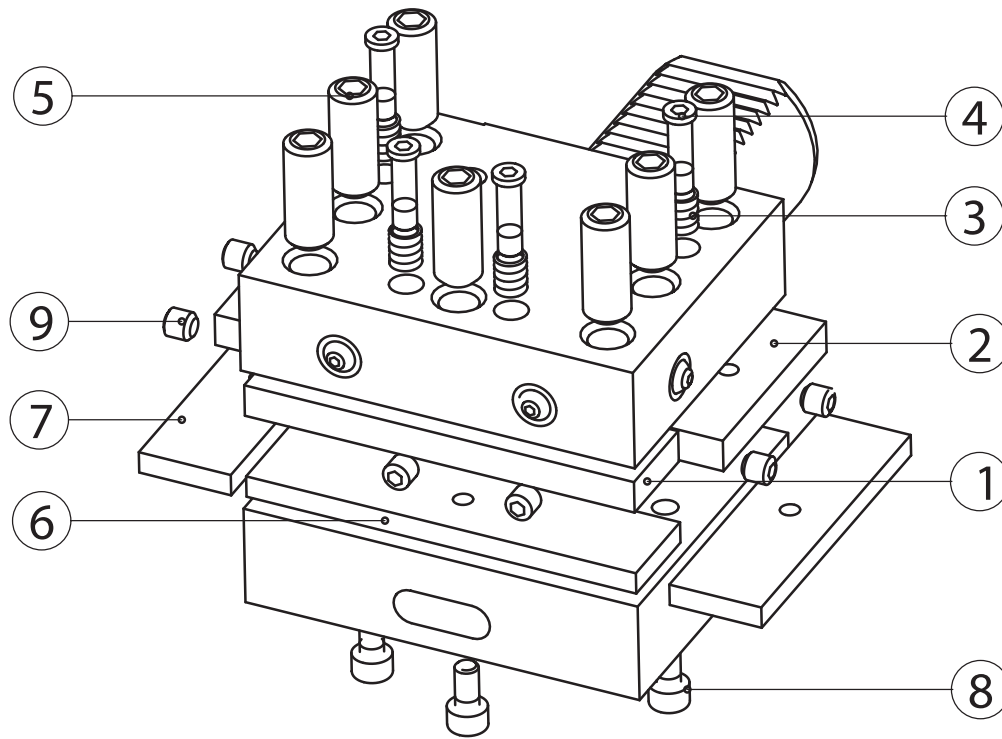
Code N.	Tool clamp plate	Spring	Screw	Locking screw	Locking screw short	Shim plate	Screw	Stop screw				
	1	2	3	4	5	6	7	8				
B..-16x12x..	832-002084	824-101010	1	811-302009	1	811-402047	1	811-102019	-	-	-	811-102020
B..-20x16x..	832-002003	824-101010	1	811-302004	1	811-102030	1	811-102029	832-003003	811-101016	1	811-102020
B..-25x16x..	832-002003	824-101010	1	811-302004	1	811-102030	1	811-102029	832-003003	811-101016	1	811-102020
B1-30x20x..												
B2-30x20x..	832-002012	824-101010	1	811-302004	1	811-102044	1	811-102043	832-003007	811-101016	1	811-102028
B3-30x20x..	832-002012	824-101010	1	811-302004	1	811-102045	1	811-102044	832-003007	811-101016	1	811-102028
B4-30x20x..												
B1-40x25x44	832-002019	824-101010	1	811-302004	1	811-102045	1	811-102044	832-003012	811-101016	2	811-102028
B2-40x25x44												
B3-40x25x44	832-002019	824-101010	1	811-302004	1	811-102047	1	811-102045	832-003033	811-101016	2	811-102028
B4-40x25x44												
B1-50x32x55	832-002025	824-101010	1	811-302004	1	811-102045	2	-	832-003016	811-101017	2	811-102036
B2-50x32x55												
B3-50x32x55	832-002025	824-101010	1	811-302004	1	811-102083	1	811-102047	832-003034	811-101017	2	811-102036
B4-50x32x55												
B1-60x32x60	832-002028	824-101020	1	811-302013	1	811-102054	2	-	832-003019	811-101017	2	811-102036
B2-60x32x60												
B3-60x32x60	832-002028	824-101020	1	811-302013	1	811-102057	1	811-102054	832-003019	811-101017	2	811-102036
B4-60x32x60												
B1-80x40x75	832-002034	824-101020	2	811-302013	2	811-102056	3	-	832-003021	811-101017	2	811-102036
B2-80x40x75												
B3-80x40x75	832-002034	824-101020	2	811-302013	2	811-102058	2	811-102056	832-003021	811-101017	2	811-102036
B4-80x40x75												



Code N.	Tool clamp plate	Spring	Screw	Locking screw	Locking screw short	Shim plate	Screw	Stop screw
		Qt.	Qt.	Qt.	Qt.		Qt.	Qt.
B...16x12x..	832-002051	824-101010 2	811-302009 2	811-402047 2	811-102019 2	-	-	811-102020 -
B...20x16x..	832-002006	824-101010 2	811-302004 2	811-102030 2	811-102029 2	832-003005	811-101016 1	811-102020 1
B...25x16x..	832-002006	824-101010 2	811-302004 2	811-102030 2	811-102029 2	832-003005	811-101016 1	811-102020 1
B5-30x20x..	832-002013	824-101010 2	811-302004 2	811-102044 2	811-102043 2	832-003009	811-101016 2	811-102028 2
B6-30x20x..	832-002013	824-101010 2	811-302004 2	811-102045 2	811-102044 2	832-003009	811-101016 1	811-102028 1
B7-30x20x..	832-002013	824-101010 2	811-302004 2	811-102045 2	811-102044 2	832-003009	811-101016 1	811-102028 1
B8-30x20x..	832-002013	824-101010 2	811-302004 2	811-102045 2	811-102044 2	832-003009	811-101016 1	811-102028 1
B5-40x25x44	832-002021	824-101010 2	811-302004 2	811-102045 2	811-102044 2	832-003014	811-101016 2	811-102028 2
B6-40x25x44	832-002021	824-101010 2	811-302004 2	811-102047 2	811-102045 2	832-003014	811-101016 2	811-102028 2
B7-40x25x44	832-002021	824-101010 2	811-302004 2	811-102047 2	811-102045 2	832-003014	811-101016 2	811-102028 2
B8-40x25x44	832-002021	824-101010 2	811-302004 2	811-102045 3	-	832-003018	811-101017 2	811-102036 2
B5-50x32x55	832-002026	824-101010 2	811-302004 2	811-102045 3	-	832-003018	811-101017 2	811-102036 2
B6-50x32x55	832-002026	824-101010 2	811-302004 2	811-102083 2	811-102047 2	832-003018	811-101017 2	811-102036 2
B7-50x32x55	832-002026	824-101010 2	811-302004 2	811-102083 2	811-102047 2	832-003018	811-101017 2	811-102036 2
B8-50x32x55	832-002026	824-101010 2	811-302004 2	811-102083 2	811-102047 2	832-003018	811-101017 2	811-102036 2
B5-60x32x60	832-002029	824-101020 2	811-302013 2	811-102054 3	-	832-003020	811-101017 2	811-102036 2
B6-60x32x60	832-002029	824-101020 2	811-302013 2	811-102054 3	-	832-003020	811-101017 2	811-102036 2
B7-60x32x60	832-002029	824-101020 2	811-302013 2	811-102057 2	811-102054 2	832-003020	811-101017 2	811-102036 2
B8-60x32x60	832-002029	824-101020 2	811-302013 2	811-102057 2	811-102054 2	832-003020	811-101017 2	811-102036 2
B5-80x40x75	832-002035	824-101020 2	811-302013 2	811-102056 3	-	832-003022	811-101017 2	811-102036 2
B6-80x40x75	832-002035	824-101020 2	811-302013 2	811-102056 3	-	832-003022	811-101017 2	811-102036 2
B7-80x40x75	832-002035	824-101020 2	811-302013 2	811-102058 2	811-102056 2	832-003022	811-101017 2	811-102036 2
B8-80x40x75	832-002035	824-101020 2	811-302013 2	811-102058 2	811-102056 2	832-003022	811-101017 2	811-102036 2

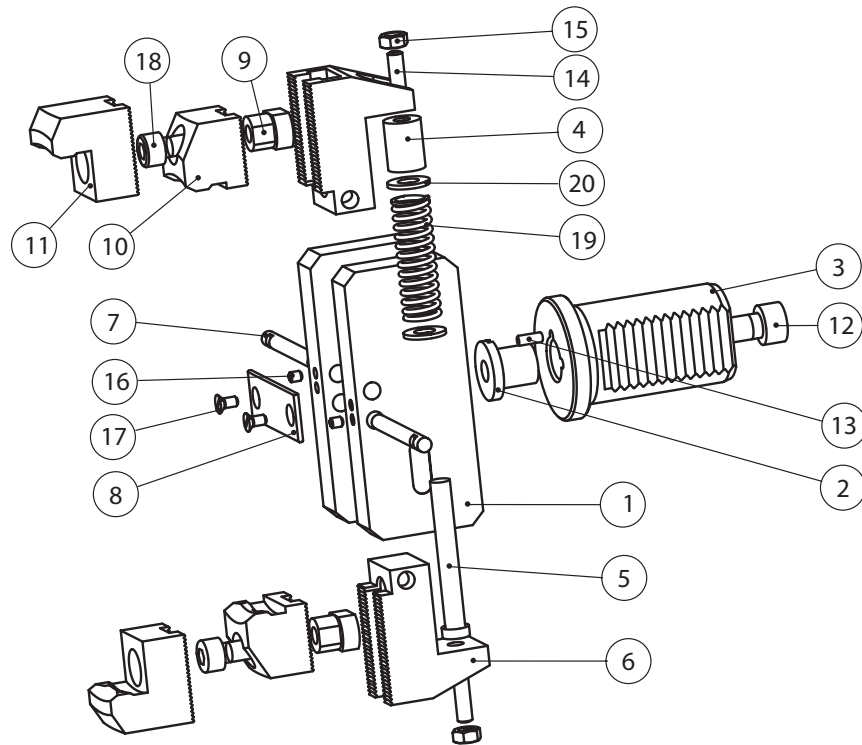


Code N.	Tool clamp plate	Spring	Screw		Locking screw		Shim plate	Screw		Stop screw
		Qt.		Qt.		Qt.			Qt.	
C...16x12x44	832-002090	824-101010	1	811-302009	1	811-402047	2	-	-	811-102020
C...20x16x50	832-002004	824-101010	1	811-302004	1	811-102030	2	832-003002	811-101016	811-102020
C...20x16x55	832-002003	824-101010	1	811-302004	1	811-102030	2	832-003003	811-101016	811-102020
C...25x16x55	832-002003	824-101010	1	811-302004	1	811-102030	2	832-003003	811-101016	811-102020
C1-30x20x70 C2-30x20x70	832-002012	824-101010	1	811-302004	1	811-102044	2	832-003007	811-101016	811-102028
C1-S 30x20/16 C2-S 30x20/16	832-002008	824-101010	1	811-302004	1	811-102044	2	832-003198	811-101016	-
C3-30x20x70 C4-30x20x70	832-002012	824-101010	1	811-302004	1	811-102045	2	832-003007	811-101016	811-102028
C1-40x25x85 C2-40x25x85	832-002019	824-101010	1	811-302004	1	811-102045	2	832-003012	811-101016	811-102028
C1-S 40x25/20 C2-S 40x25/20	832-002058	824-101010	1	811-302004	1	811-102045	2	832-003200	811-101016	-
C3-40x25x85 C4-40x25x85	832-002019	824-101010	1	811-302004	1	811-102047	2	832-003012	811-101016	811-102028
C1-50x32x100 C2-50x32x100	832-002025	824-101010	1	811-302004	1	811-102045	2	832-003016	811-101017	811-102036
C1-S 50x32/25 C2-S 50x32/25	832-002066	824-101010	1	811-302004	1	811-102047	2	832-003199	811-101017	-
C3-50x32x100 C4-50x32x100	832-002025	824-101010	1	811-302004	1	811-102083	2	832-003016	811-101017	811-102036
C1-60x32x125 C2-60x32x125	832-002028	824-101020	1	811-302013	1	811-102054	2	832-003019	811-101017	811-102036
C1-S 60x32 C2-S 60x32	832-002160	824-101020	1	811-302013	1	811-102054	2	-	-	-
C3-60x32x125 C4-60x32x125	832-002028	824-101020	1	811-302013	1	811-102056	2	832-003019	811-101017	811-102036
C1-80x40x160 C2-80x40x160	832-002036	824-101020	2	811-302013	2	811-102056	3	832-003023	811-101017	811-102036
C1-S 80x40 C2-S 80x40	832-002161	824-101020	1	811-302013	1	811-102056	2	-	-	-
C3-80x40x160 C4-80x40x160	832-002036	824-101020	2	811-302013	2	811-102058	3	832-003023	811-101017	811-102036



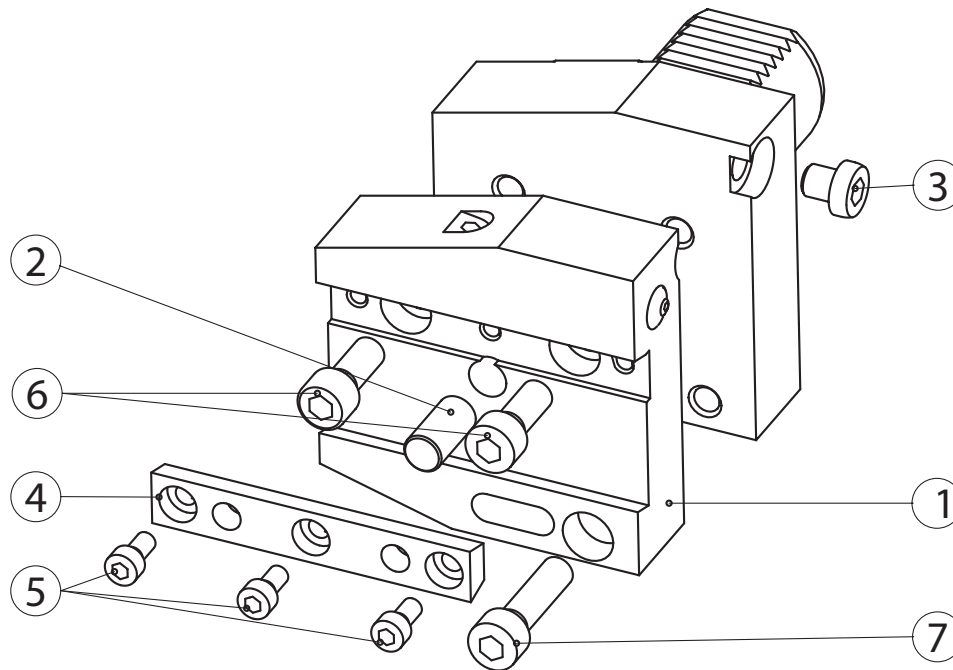
Code N.	Tool clamp plate (rad.)	Tool clamp plate (ax.)	Spring	Screw	Locking screw	Shim plate (rad.)	Shim plate (ax.)	Screw	Stop screw				
	1	2	3	4	5	6	7	8	9				
D.-25x16x48	832-002136	832-002098	824-101010	3	811-302004	3	811-102030	6	832-003004	832-003179	811-101016	3	811-102011
D.-30x20x60	832-002118	832-002009	824-101010	4	811-302004	4	811-102030	7	832-003008	832-003006	811-101016	3	811-102017
D1-40x25x72	832-002119	832-002015	824-101010	4	811-302004	4	811-102039	7	832-003013	832-003010	811-101016	3	811-102017
D2-40x25x72	832-002119	832-002015	824-101010	4	811-302004	4	811-102041	7	832-003013	832-003010	811-101016	3	811-102017
D1-50x32x85	832-002120	832-002023	824-101010	4	811-302004	4	811-102039	7	832-003017	832-003015	811-101017	3	811-102026
D2-50x32x85	832-002120	832-002023	824-101010	4	811-302004	4	811-102041	7	832-003017	832-003015	811-101017	3	811-102026
D1-60x32x110	832-002134	832-002071	824-101020	4	811-302013	4	811-102047	7	832-003025	832-003024	811-101017	6	811-102026
D2-60x32x110	832-002134	832-002071	824-101020	4	811-302013	4	811-102083	7	832-003025	832-003024	811-101017	6	811-102026
D1-80x40x140	832-002135	832-002033	824-101020	4	811-302013	4	811-102056	7	832-003093	832-003092	811-101017	6	811-102026
D2-80x40x140	832-002135	832-002033	824-101020	4	811-302013	4	811-102058	7	832-003093	832-003092	811-101017	6	811-102026


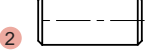
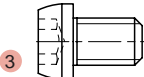
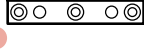
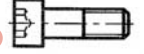

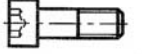
ERSATZTEILE
SPARE PARTS
PIECES DETACHEES
COMPONENTI



Code N.	Body	Threaded pawl	Shank	Pawl	Pin	Jaw base	Pin	Plate	Die slide	Short jaw	Long jaw
	1	2	3	4	5	6	7	8	9	10	11
KH1-20	H1-1x20	H1-2x20	H1-3x20	H1-4x20-30	H1-5x30	H1-6x30	H1-7x30	H1-8x30	H1-9x30-40	H1-10x30-40	H1-11x30-40
KH1-25	H1-1x30	H1-2x30-40	H1-3x25	H1-4x20-30	H1-5x30	H1-6x30	H1-7x30	H1-8x30	H1-9x30-40	H1-10x30-40	H1-11x30-40
KH1-25 C	H1-1x30	H1-2x30-40	H1-3x25C	H1-4x20-30	H1-5x30	H1-6x30	H1-7x30	H1-8x30	H1-9x30-40	H1-10x30-40	H1-11x30-40
KH1-30	H1-1x30	H1-2x30-40	H1-3x30	H1-4x20-30	H1-5x30	H1-6x30	H1-7x30	H1-8x30	H1-9x30-40	H1-10x30-40	H1-11x30-40
KH1-32 C	H1-1x30	H1-2x30-40	H1-3x32C	H1-4x20-30	H1-5x30	H1-6x30	H1-7x30	H1-8x30	H1-9x30-40	H1-10x30-40	H1-11x30-40
KH1-40	H1-1x40	H1-2x30-40	H1-3x40	H1-4x40	H1-5x40	H1-6x40	H1-7x40	H1-8x40	H1-9x30-40	H1-10x30-40	H1-11x30-40
KH1-40 C	H1-1x40	H1-2x30-40	H1-3x40C	H1-4x40	H1-5x40	H1-6x40	H1-7x40	H1-8x40	H1-9x30-40	H1-10x30-40	H1-11x30-40
KH1-50	H1-1x50-60	H1-2x50-60	H1-3x50	H1-4x50-60	H1-5x50-60	H1-6x50-60	H1-7x50-60	H1-8x50-60	H1-9x50-60	H1-10x50-60	H1-11x50-60
KH1-50 C	H1-1x50-60	H1-2x50-60	H1-3x50C	H1-4x50-60	H1-5x50-60	H1-6x50-60	H1-7x50-60	H1-8x50-60	H1-9x50-60	H1-10x50-60	H1-11x50-60
KH1-60	H1-1x50-60	H1-2x50-60	H1-3x60	H1-4x50-60	H1-5x50-60	H1-6x50-60	H1-7x50-60	H1-8x50-60	H1-9x50-60	H1-10x50-60	H1-11x50-60

Code N.	Screw	Pin	Screw	Nut	Screw	Screw	Screw	Spring	Washer
	12	13	14	15	16	17	18	19	20
KH1-20	811-401111	815-210090	811-102022	812-101004	811-102002	811-108006	811-101040	824-101050	813-101090
KH1-25	811-101055	815-210090	811-102022	812-101004	811-102002	811-108006	811-101040	824-101050	813-101090
KH1-25 C	811-101055	815-210090	811-102022	812-101004	811-102002	811-108006	811-101040	824-101050	813-101090
KH1-30	811-101055	815-210090	811-102022	812-101004	811-102002	811-108006	811-101040	824-101050	813-101090
KH1-32 C	811-101055	815-210090	811-102022	812-101004	811-102002	811-108006	811-101040	824-101050	813-101090
KH1-40	811-101055	815-210090	811-102022	812-101004	811-102002	811-108006	811-101040	824-101060	813-101090
KH1-40 C	811-101055	815-210090	811-102022	812-101004	811-102002	811-108006	811-101040	824-101060	813-101090
KH1-50	811-101068	815-210180	811-102030	812-101005	811-102002	811-108006	811-101052	824-101120	813-101100
KH1-50 C	811-101068	815-210180	811-102030	812-101005	811-102002	811-108006	811-101052	824-101120	813-101100
KH1-60	811-101068	815-210180	811-102030	812-101005	811-102002	811-108006	811-101052	824-101120	813-101100



Code N.	Tool holder plate	Pin	Stop screw	Tool clamping plate	Screw	Screw	Screw
							
AR2526	117-125101	815-210010	811-303103	832-002097	811-101016	811-101029	811-101031
AL2526	117-225101	815-210010	811-303103	832-002097	811-101016	811-101029	811-101031
ARU2526	117-325101	815-210010	811-303103	832-002145	811-101016	811-101029	811-101031
ALU2526	117-425101	815-210010	811-303125	832-002145	811-101016	811-101029	811-101031
AR3026	117-130101	815-210010	811-303011	832-002037	811-101016	811-101040	811-101042
AL3026	117-230101	815-210010	811-303011	832-002037	811-101016	811-101040	811-101042
ARU3026	117-330101	815-210010	811-303011	832-002037	811-101016	811-101040	811-101042
ALU3026	117-430101	815-210010	811-303011	832-002037	811-101016	811-101040	811-101042
AR4026	117-140101	815-210020	811-303011	832-002038	811-101016	811-101040	811-101042
AL4026	117-240101	815-210020	811-303011	832-002038	811-101016	811-101040	811-101042
ARU4026	117-340101	815-210020	811-303011	832-002038	811-101016	811-101040	811-101042
ALU4026	117-440101	815-210020	811-303011	832-002038	811-101016	811-101040	811-101042
AR4032	117-140111	815-210020	811-303011	832-002039	811-101016	811-101040	811-101042
AL4032	117-240111	815-210020	811-303011	832-002039	811-101016	811-101040	811-101042
ARU4032	117-340111	815-210020	811-303011	832-002039	811-101016	811-101040	811-101042
ALU4032	117-440111	815-210020	811-303011	832-002039	811-101016	811-101040	811-101042
AR5026	117-150101	815-210020	811-303011	832-002040	811-101027	811-101040	811-101042
AL5026	117-250101	815-210020	811-303011	832-002040	811-101027	811-101040	811-101042
ARU5026	117-350101	815-210020	811-303011	832-002040	811-101027	811-101040	811-101042
ALU5026	117-450101	815-210020	811-303011	832-002040	811-101027	811-101040	811-101042
AR5032	117-150111	815-210020	811-303011	832-002041	811-101027	811-101040	811-101042
AL5032	117-250111	815-210020	811-303011	832-002041	811-101027	811-101040	811-101042
ARU5032	117-350111	815-210020	811-303011	832-002041	811-101027	811-101040	811-101042
ALU5032	117-450111	815-210020	811-303011	832-002041	811-101027	811-101040	811-101042
AR6032	117-160101	815-210030	811-303012	832-002042	811-101027	811-101052	811-101054
AL6032	117-260101	815-210030	811-303012	832-002042	811-101027	811-101052	811-101054
ARU6032	117-360101	815-210030	811-303012	832-002042	811-101027	811-101052	811-101054
ALU6032	117-460101	815-210030	811-303012	832-002042	811-101027	811-101052	811-101054

